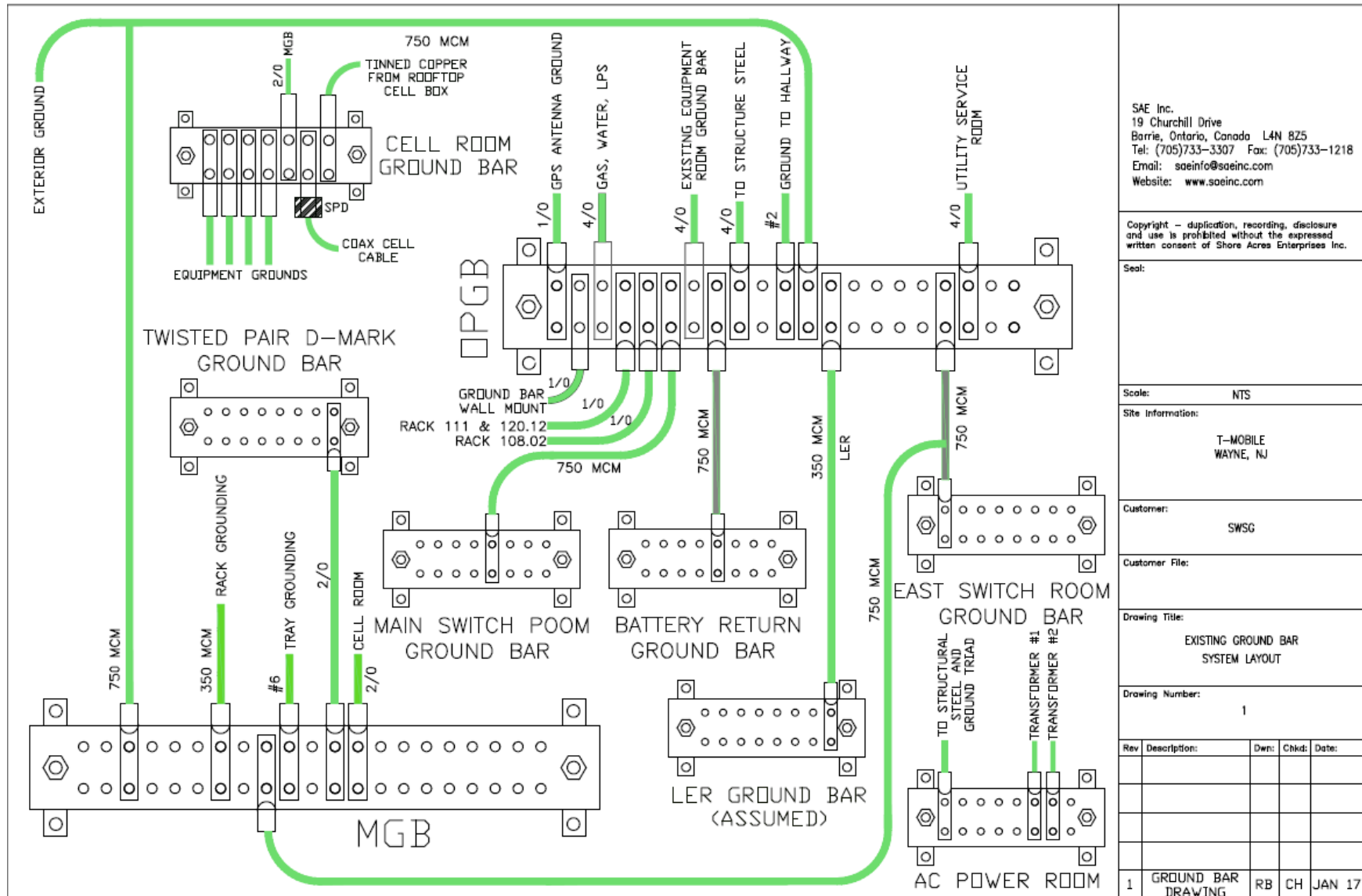


5.0 Existing Interior and Exterior Ground Bar Schematic



SAE Inc.
 19 Churchill Drive
 Barrie, Ontario, Canada L4N 8Z5
 Tel: (705)733-3307 Fax: (705)733-1218
 Email: saeinfo@saeinc.com
 Website: www.saeinc.com

Copyright - duplication, recording, disclosure and use is prohibited without the expressed written consent of Shore Acres Enterprises Inc.

Seal:

Scale: NTS

Site Information:
 T-MOBILE
 WAYNE, NJ

Customer:
 SWSG

Customer File:

Drawing Title:
 EXISTING GROUND BAR
 SYSTEM LAYOUT

Drawing Number:
 1

Rev	Description:	Dwn:	Chkd:	Date:
1	GROUND BAR DRAWING	RB	CH	JAN 17

Figure 23: Interior Ground Bar Schematic