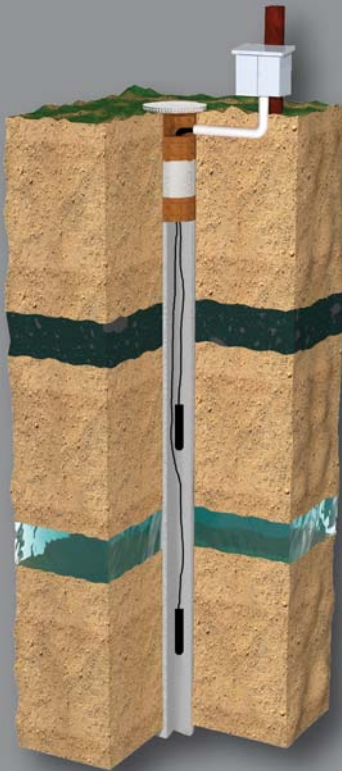




- Superior Performance
- Extremely Long Lifecycle
- Cost Efficient



EnviroANODE®

Long life cathodic protection

SAE offers innovative products that help you maintain the safety and integrity of your pipelines, while complying with industry regulations. The **EnviroAnode®** CP system for impressed current cathodic protection (ICCP) is a premium product aimed at applications that demand high performance, long life and environmental compliance. **EnviroAnode®** offers the following advantages:

- Long life cycle (up to 2x that of a traditional system)
- Can be engineered effectively to satisfy virtually any soil condition
- Protects potable water (Impermeable solid backfill)
- Lower total cost of ownership
- Meets NEC/CEC electrical code

EnviroAnode® is an effective impressed current cathodic protection (ICCP) solution. With a virtually impermeable column, **EnviroAnode®** allows for the installation of systems that cross through potable water aquifers as the migration of contaminants is prevented. Further, carbon degradation only occurs in the **Conducrete®** column where the anodes are installed. To protect the aquifer from contamination, it is required that no anodes be installed within 50 ft. above and below the aquifer.



- The **EnviroAnode**® CP system is installed using similar tools and techniques as those used in traditional anode beds.
- The electronic energy transfer mechanism of **EnviroAnode**® gives extremely stable electrical operating performance in use, especially when compared to the electrolytic energy transfer experienced with traditional anode beds.
- The large active, low current density **EnviroAnode**® column causes gas to be uniformly distributed over the entire surface, where it is easily absorbed into the soil. By better managing the production and dissipation of out-gassing, vent pipes are not required in **EnviroAnode**® installations and the overall efficiency of the anode bed is increased.

Applications

- Pipelines
- Petroleum Storage Tanks
- Well Casings
- Nuclear Power Plants

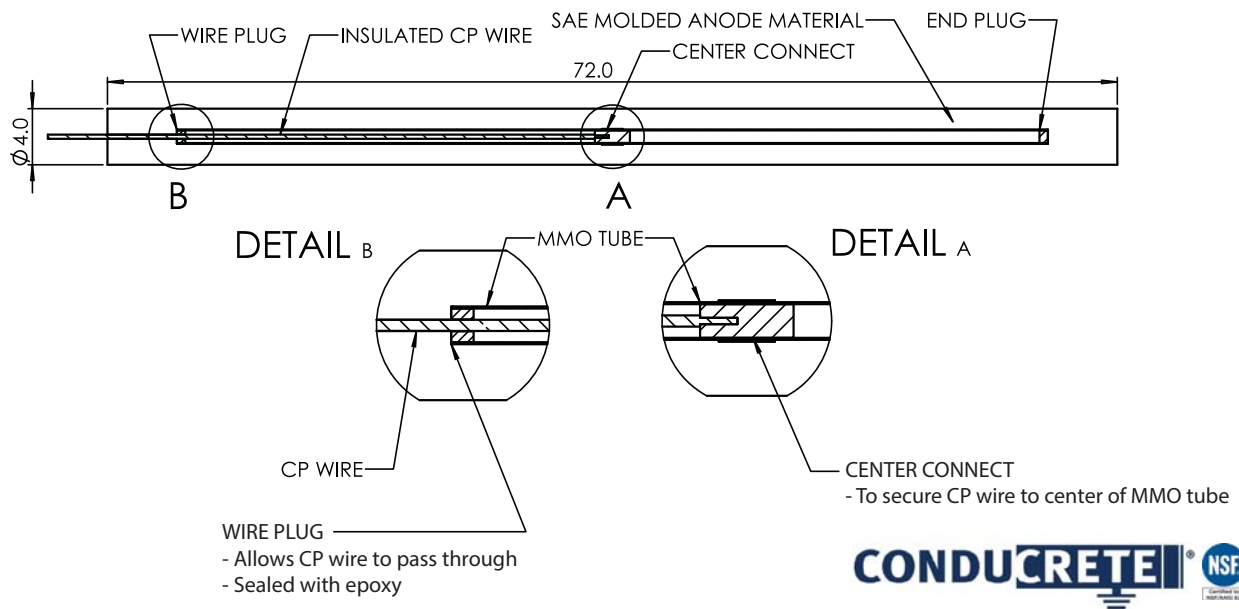
| Current (A) | EnviroAnode Life (Years)* |
|-------------|---------------------------|
| 0.5 | 699.6 |
| 1 | 349.8 |
| 2.5 | 139.92 |
| 5 | 69.96 |

*A utilization factor of 75% is assumed.

SAE K5050/K50100 System
Expected Longevity

- 10" Diameter
- 175' Active Column

Product Specifications



Updated: 6/25/2018