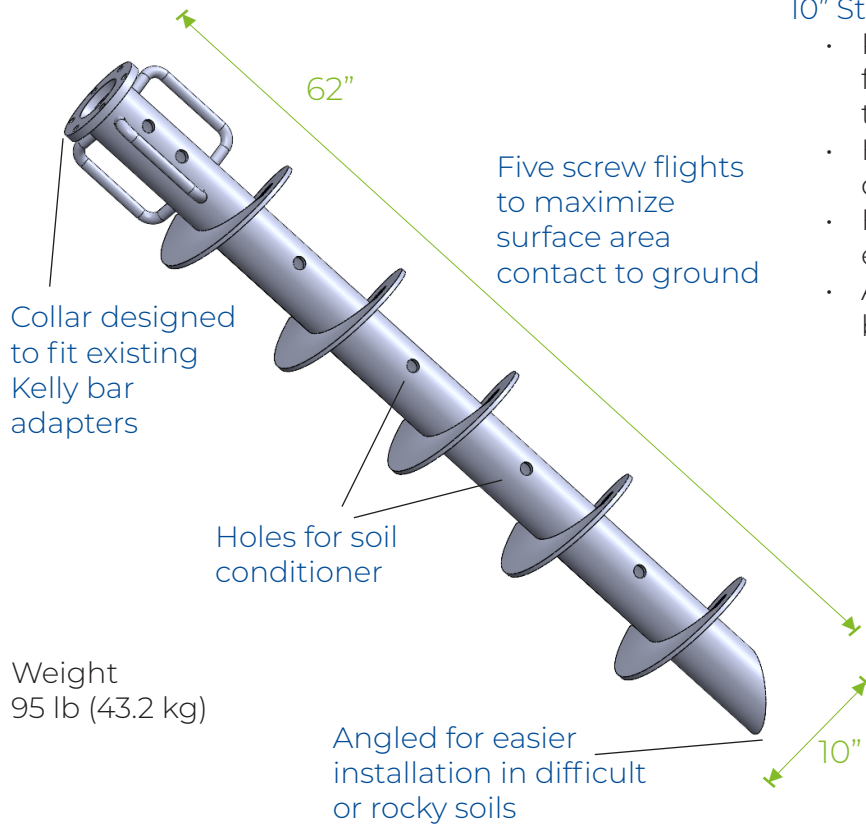


TPG Grounding Screw Product Specifications

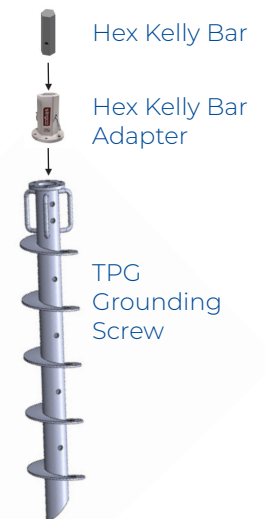
Side View



10" Stainless Steel Grounding Screw

- Reusable; designed to be installed for the duration of the project, then removed
- Holes along shaft for the addition of soil conditioner, four in total
- Fabricated to easily attach to existing Kelly bar adapters
- Allows for up to six temporary bonding clamps

Multiple grounding screws are able to be installed where soil conditions are difficult



Not to Scale

Published Date: February 2022

TPG Products	
Product Code	Description
TPG-GS	TPG Grounding Screw
TPG-GSa	TPG Grounding Screw with Adapter

Available Kelly Bar Adapters			
Part #	Bar Adapter Hex Size	Torque Rating	Bolt Size
630013	2"	10,000 ft-lbs	1/2" Grade 5 x 2.5"
SAE10486	2.5"	10,000 ft-lbs	1/2" Grade 5 x 2.5"
SAE10427	2.625"	10,000 ft-lbs	1/2" Grade 5 x 2.5"

saeinc.com

1 877 234 2502 | 705 733 3307
info@saeinc.com